




329 B EAST OXFORD ST.
 PONTOTOC, MS 38863
 662-200-2564 FAX 662-200-2587
 www.flagstarconstruction.com

Transmittal

To: Dale Bailey an Association Date: 07/26/2022
 One Jackson Place 250, 188 East Capital Street Attn: Paul Purser, Architect, AIA, NCARB,
 Jackson, MS 39201 LEED AP BD+C
 Re: SUBMITTAL 037 CC:
 PN: 21064, Pontotoc City Schools ESSER 2&3

WE ARE SENDING YOU ATTACHED:

Shop Drawings Prints/Plans Specifications Copy of Letter Samples Other:

COPIES	SECTION	DESCRIPTION
1	Division 05	Middle School Auditorium, Entry ADA Ramp
		Handrail Shop Drawings
<div style="border: 1px solid black; padding: 5px;"> <input checked="" type="checkbox"/> Reviewed <input type="checkbox"/> Reviewed As Noted <input type="checkbox"/> Reviewed, Not Approved <input type="checkbox"/> Revise & Resubmit <p>Reviewed for the limited purpose of checking for conformance with information given and the design concept expressed in the Contract Documents. This review was not conducted for the purpose of determining the accuracy and completeness of other quantities or for substantiating instructions for installation, assembly, performance of materials, equipment, systems, or construction means and methods - all of which remain the responsibility of the Contractor.</p> <p style="text-align: right;">Date Partners Architects, P. A.</p> <p>By:  Date: 7/26/2022</p> </div>		

THESE ARE TRANSMITTED FOR THE FOLLOWING ACTION:

For Approval For Your Use As Requested For Review For Bid Due:
 Approved as Submitted Approved as Noted Returned for Corrections/Resubmittals
 Resubmit _____ copies for approval Return _____ corrected sets

Remarks:

From: Mike Parker

Received by: _____

PAUL BOX
196 STRONG ROAD
CANTON, MS 39046

LETTER OF TRANSMITTAL

DATE	7-26-22	JOB NO.	9036
ATTENTION	MIKE SMITH		
REF.			
PONTOTOC CITY SCHOOLS			
PONTOTOC, MS.			

TO STEELWORKS LLC
5217 GREENWAY DR. EXT.
JACKSON, MS. 39204

WE ARE SENDING YOU ATTACHED UNDER SEPARATE COVER VIA E-MAIL THE FOLLOWING ITEMS:
 SHOP DRAWINGS PRINTS PLANS SAMPLES CHANGE ORDER
 COPY OF LETTER ORIGINALS INVOICE ENCLOSED _____

QTY	ORIG/COPY	DESCRIPTION
1		E3, 11, 12, 13.
		FOR APPROVAL

THESE ARE TRANSMITTED AS CHECKED BELOW:

- | | | |
|--|---|---|
| <input checked="" type="checkbox"/> FOR APPROVAL (1ST) | <input type="checkbox"/> REVISED DRAWINGS | <input type="checkbox"/> FOR REVIEW AND COMMENT |
| <input type="checkbox"/> FOR APPROVAL (2ND) | <input type="checkbox"/> AS REQUESTED | <input type="checkbox"/> RETURNED FOR CORRECTIONS |
| <input type="checkbox"/> READY FOR SHOP | <input type="checkbox"/> FOR YOUR USE | <input type="checkbox"/> BID SET |
| <input type="checkbox"/> FILE & FIELD DRAWINGS | <input type="checkbox"/> _____ | |

REMARKS E-MAIL THIS DATE TO:

PAUL BOX DETAILING @ COMCAST. NET
MIKE @ STEELWORKS LLC. COM

COPY TO _____

SIGNED _____

PAUL BOX

REVISIONS	

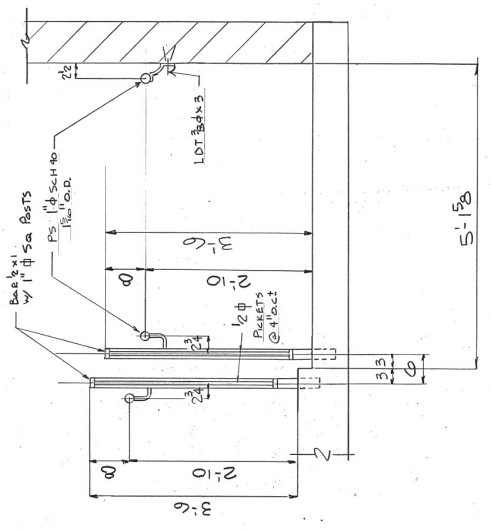
PROJECT: ROUTOTOC CITY SCHOOLS
 CONTRACTOR: FLAGSTAR CONST.
 ARCHITECT: DALE BAILEY & ASSOC.
 DRAWN BY: BOB
 CHECKED BY: D.T.

MATERIAL FOR: ADA RAMP - AUDITORIUM LOBBY
 LOCATION: ROUTOTOC, MS.
 PROJECT: ROUTOTOC CITY SCHOOLS

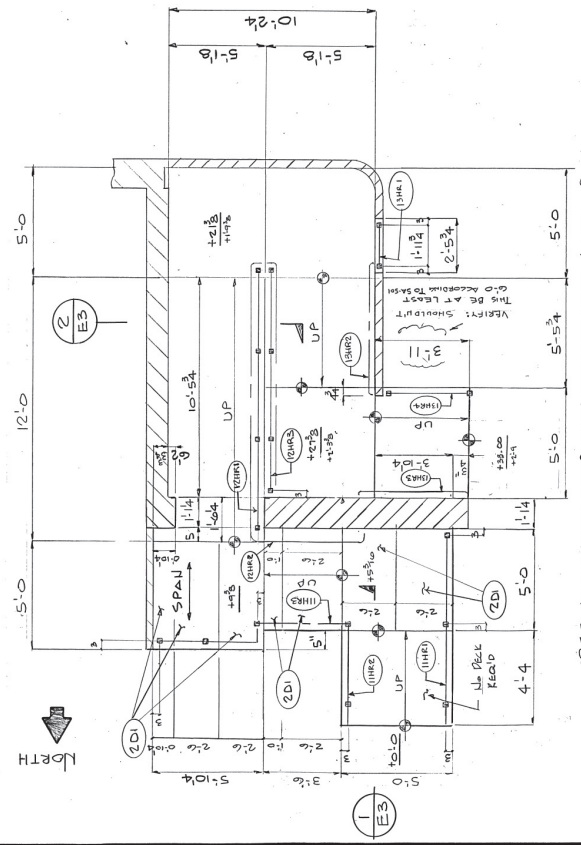


JOB NO. 9036
 DRAWING NO. E3

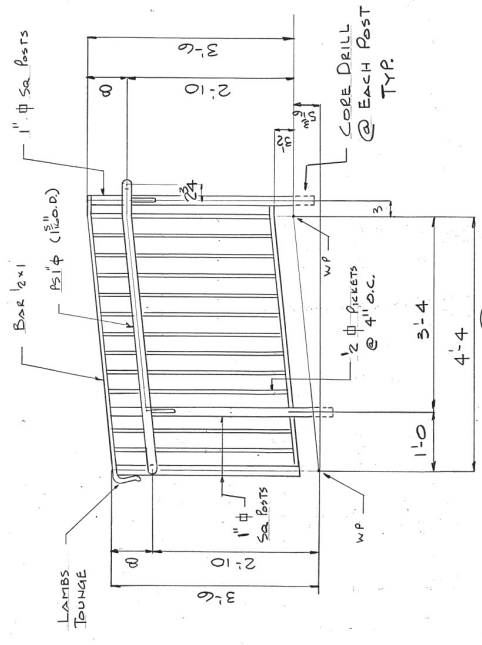
NOTE - IMPORTANT - NOTE
 WE WILL NOT ACCEPT BACK CHARGES FOR LABOR, MATERIALS, OR CORRECTIVE WORK UNLESS AUTHORIZED IN WRITING BY OUR OFFICE



SEC 2
 E3

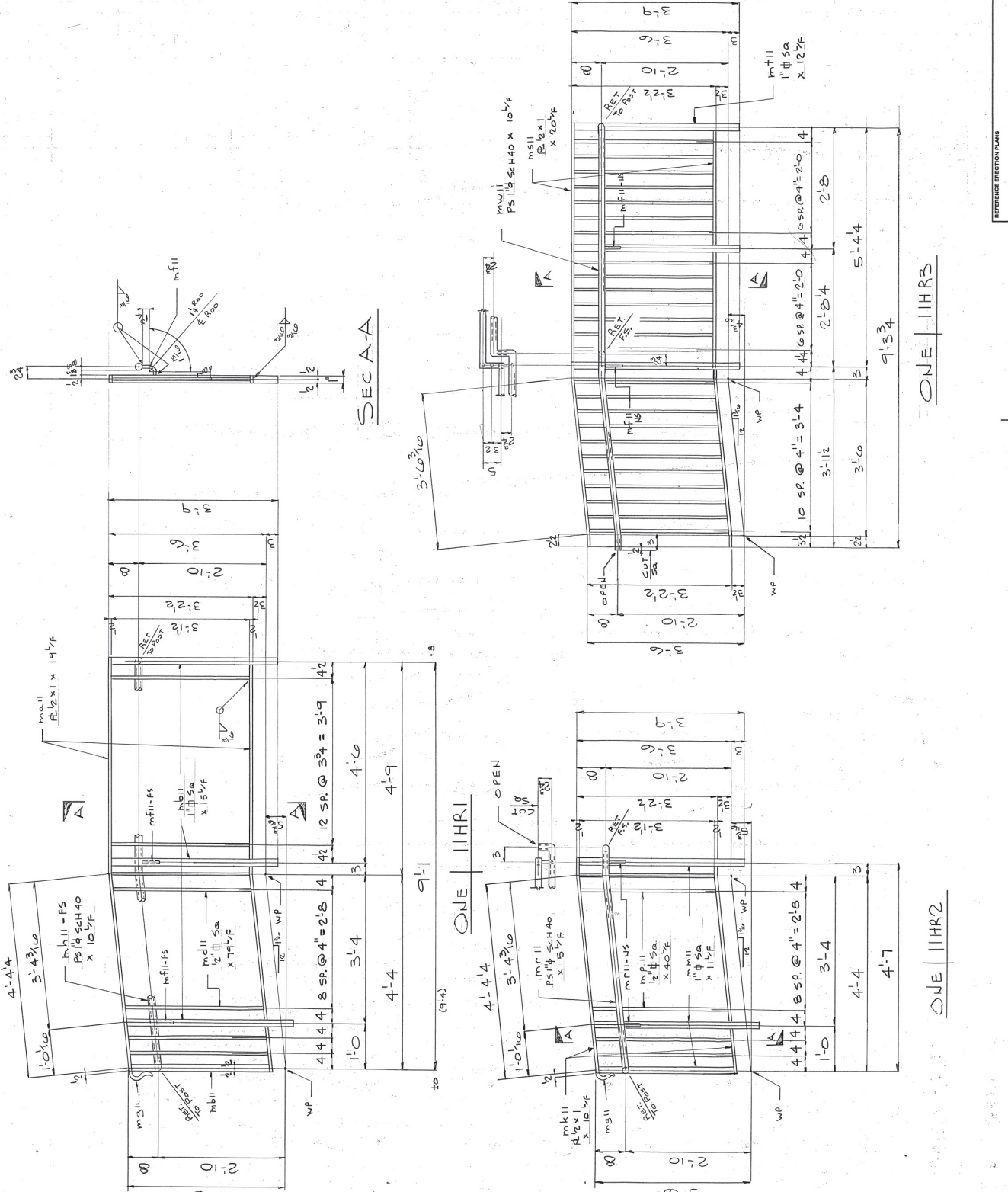


PCS MIDDLE - ADA RAMP TO AUDITORIUM LOBBY PLAN



SEC 1
 E3

NO.	DESCRIPTION	LENGTH FT. IN.	ASSEM MARK	SHIPPING MARK	REMARKS	WEIGHT
1	HAUDRAIL R 1/2 x 1	19 1/2	ms11	11HR1		
1	1" x 1/4" SA	15 1/2	mf11			
1	1" x 1/4" SA	19 1/2	mf11			
2	ROD 1/2" DIA @ 4" ON C	10	mf11		BEUT	
	MISCELLANEOUS METALS					
	MS11					
	MS11					
1	PS 1 1/2 x 5/8 x 40	10 1/2	mf11			
1	HAUDRAIL R 1/2 x 1	20 1/2	ms11	11HR2		
1	1" x 1/4" SA	11 1/2	mf11			
1	1" x 1/4" SA	40 1/2	mf11			
2	ROD 1/2" DIA @ 4" ON C	10 1/2	mf11		BEUT	
	MISCELLANEOUS METALS					
	MS11					
	MS11					
1	PS 1 1/2 x 5/8 x 40	5 1/2	mf11			
1	HAUDRAIL R 1/2 x 1	20 1/2	ms11	11HR3		
1	1" x 1/4" SA	12 1/2	mf11			
1	1" x 1/4" SA	40 1/2	mf11			
2	ROD 1/2" DIA @ 4" ON C	10 1/2	mf11		BEUT	
	MISCELLANEOUS METALS					
	MS11					
	MS11					
1	PS 1 1/2 x 5/8 x 40	10 1/2	mf11			



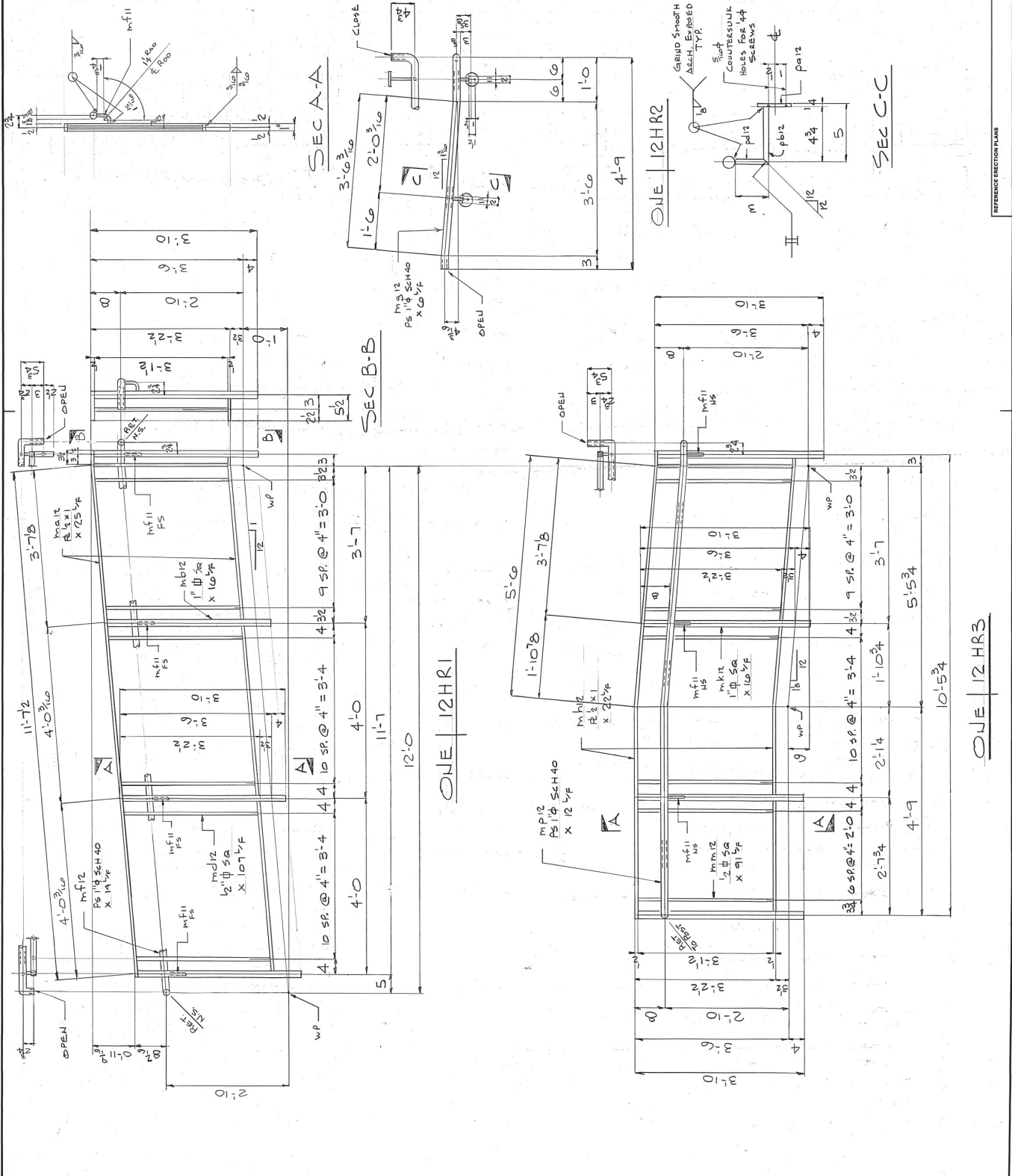
REVISIONS

NO.	DATE	DESCRIPTION
1	10/23/22	ISSUED FOR PERMITS
2	11/2/22	REVISED PER COMMENTS
3		
4		
5		

PROJECT: PONTIAC CITY SCHOOLS
CUSTOMER: FLAGSTAR CONST.
DRAWN BY: H.R. @ ADA RAMP-UP, LOBBY
CHECKED BY: []
DATE: 11-15-22
SHIP ORDER: 9036
DRAWING NO. 11

MATERIAL GRADE: PIPE, A53B
PAINT: ONE SHOP COAT
PRIMER: PAINT
HOURS: NONE
DATE: 11/15/22

NO.	DESCRIPTION	LENGTH FT. IN.	CLASS.	SHIPPING MARK	REMARKS	WEIGHT
1	HAUDRAIL	25	1/2	12HE1		
2	1" x 1/2" SA	16	1/2	12HE1		
3	1" x 1/2" SA	16	1/2	12HE1		
4	1" x 1/2" SA	16	1/2	12HE1		
5	1" x 1/2" SA	16	1/2	12HE1		
6	1" x 1/2" SA	16	1/2	12HE1		
7	1" x 1/2" SA	16	1/2	12HE1		
8	1" x 1/2" SA	16	1/2	12HE1		
9	1" x 1/2" SA	16	1/2	12HE1		
10	1" x 1/2" SA	16	1/2	12HE1		
11	1" x 1/2" SA	16	1/2	12HE1		
12	1" x 1/2" SA	16	1/2	12HE1		
13	1" x 1/2" SA	16	1/2	12HE1		
14	1" x 1/2" SA	16	1/2	12HE1		
15	1" x 1/2" SA	16	1/2	12HE1		
16	1" x 1/2" SA	16	1/2	12HE1		
17	1" x 1/2" SA	16	1/2	12HE1		
18	1" x 1/2" SA	16	1/2	12HE1		
19	1" x 1/2" SA	16	1/2	12HE1		
20	1" x 1/2" SA	16	1/2	12HE1		
21	1" x 1/2" SA	16	1/2	12HE1		
22	1" x 1/2" SA	16	1/2	12HE1		
23	1" x 1/2" SA	16	1/2	12HE1		
24	1" x 1/2" SA	16	1/2	12HE1		
25	1" x 1/2" SA	16	1/2	12HE1		
26	1" x 1/2" SA	16	1/2	12HE1		
27	1" x 1/2" SA	16	1/2	12HE1		
28	1" x 1/2" SA	16	1/2	12HE1		
29	1" x 1/2" SA	16	1/2	12HE1		
30	1" x 1/2" SA	16	1/2	12HE1		
31	1" x 1/2" SA	16	1/2	12HE1		
32	1" x 1/2" SA	16	1/2	12HE1		
33	1" x 1/2" SA	16	1/2	12HE1		
34	1" x 1/2" SA	16	1/2	12HE1		
35	1" x 1/2" SA	16	1/2	12HE1		
36	1" x 1/2" SA	16	1/2	12HE1		
37	1" x 1/2" SA	16	1/2	12HE1		
38	1" x 1/2" SA	16	1/2	12HE1		
39	1" x 1/2" SA	16	1/2	12HE1		
40	1" x 1/2" SA	16	1/2	12HE1		
41	1" x 1/2" SA	16	1/2	12HE1		
42	1" x 1/2" SA	16	1/2	12HE1		
43	1" x 1/2" SA	16	1/2	12HE1		
44	1" x 1/2" SA	16	1/2	12HE1		
45	1" x 1/2" SA	16	1/2	12HE1		
46	1" x 1/2" SA	16	1/2	12HE1		
47	1" x 1/2" SA	16	1/2	12HE1		
48	1" x 1/2" SA	16	1/2	12HE1		
49	1" x 1/2" SA	16	1/2	12HE1		
50	1" x 1/2" SA	16	1/2	12HE1		
51	1" x 1/2" SA	16	1/2	12HE1		
52	1" x 1/2" SA	16	1/2	12HE1		
53	1" x 1/2" SA	16	1/2	12HE1		
54	1" x 1/2" SA	16	1/2	12HE1		
55	1" x 1/2" SA	16	1/2	12HE1		
56	1" x 1/2" SA	16	1/2	12HE1		
57	1" x 1/2" SA	16	1/2	12HE1		
58	1" x 1/2" SA	16	1/2	12HE1		
59	1" x 1/2" SA	16	1/2	12HE1		
60	1" x 1/2" SA	16	1/2	12HE1		
61	1" x 1/2" SA	16	1/2	12HE1		
62	1" x 1/2" SA	16	1/2	12HE1		
63	1" x 1/2" SA	16	1/2	12HE1		
64	1" x 1/2" SA	16	1/2	12HE1		
65	1" x 1/2" SA	16	1/2	12HE1		
66	1" x 1/2" SA	16	1/2	12HE1		
67	1" x 1/2" SA	16	1/2	12HE1		
68	1" x 1/2" SA	16	1/2	12HE1		
69	1" x 1/2" SA	16	1/2	12HE1		
70	1" x 1/2" SA	16	1/2	12HE1		
71	1" x 1/2" SA	16	1/2	12HE1		
72	1" x 1/2" SA	16	1/2	12HE1		
73	1" x 1/2" SA	16	1/2	12HE1		
74	1" x 1/2" SA	16	1/2	12HE1		
75	1" x 1/2" SA	16	1/2	12HE1		
76	1" x 1/2" SA	16	1/2	12HE1		
77	1" x 1/2" SA	16	1/2	12HE1		
78	1" x 1/2" SA	16	1/2	12HE1		
79	1" x 1/2" SA	16	1/2	12HE1		
80	1" x 1/2" SA	16	1/2	12HE1		
81	1" x 1/2" SA	16	1/2	12HE1		
82	1" x 1/2" SA	16	1/2	12HE1		
83	1" x 1/2" SA	16	1/2	12HE1		
84	1" x 1/2" SA	16	1/2	12HE1		
85	1" x 1/2" SA	16	1/2	12HE1		
86	1" x 1/2" SA	16	1/2	12HE1		
87	1" x 1/2" SA	16	1/2	12HE1		
88	1" x 1/2" SA	16	1/2	12HE1		
89	1" x 1/2" SA	16	1/2	12HE1		
90	1" x 1/2" SA	16	1/2	12HE1		
91	1" x 1/2" SA	16	1/2	12HE1		
92	1" x 1/2" SA	16	1/2	12HE1		
93	1" x 1/2" SA	16	1/2	12HE1		
94	1" x 1/2" SA	16	1/2	12HE1		
95	1" x 1/2" SA	16	1/2	12HE1		
96	1" x 1/2" SA	16	1/2	12HE1		
97	1" x 1/2" SA	16	1/2	12HE1		
98	1" x 1/2" SA	16	1/2	12HE1		
99	1" x 1/2" SA	16	1/2	12HE1		
100	1" x 1/2" SA	16	1/2	12HE1		



SHOP BILL

PROJECT: **PONTIAC CITY SCHOOLS**
 CUSTOMER: **FLAGSTAR CONST.**
 DETAIL: **HR. @ ADA RAMP - AUD. LOBBY**
 DRAWN BY: **HR. @ ADA RAMP - AUD. LOBBY**
 DATE: **1-15-22**
 SHEET: **12**

REVISIONS:

NO.	DATE	DESCRIPTION
1		

FIELD NO. / DRAWING NO. / SHEET NO. / TOTAL SHEETS

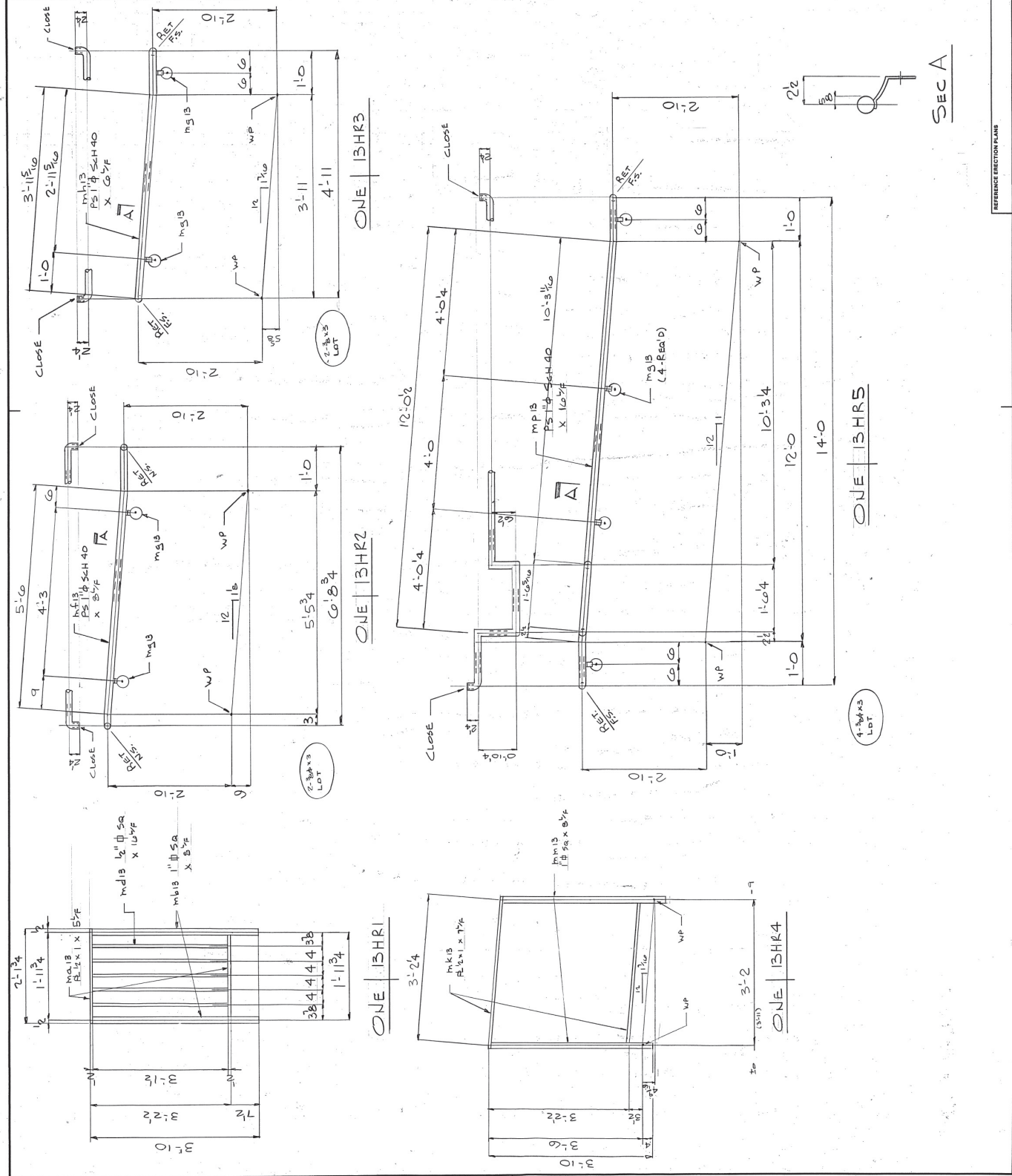
PAINT ONE SHOP COAT
PRIMER PAINT

CLEANING

MATERIAL GRADE: **PIPE-AS-B**
STREET: **536**

HOLES: **10**
DATE: **10/12**

NO.	DESCRIPTION	ASSEMBLY	SHIPPING MARK	REMARKS	WEIGHT
1	HAUDRAIL	5 5/8	MS13		
1	RE 1/2" SQ	5 5/8	MS13		
1	RE 1" SQ	10 1/2	MS13		
1	WALL RAIL	5 5/8	MS13		
1	PS 1" SCH 40	5 5/8	MS13		
2	WASHER 1/2"	5 5/8	MS13		
1	WALL RAIL	5 5/8	MS13		
1	PS 1" SCH 40	5 5/8	MS13		
2	WASHER 1/2"	5 5/8	MS13		
1	HAUDRAIL	7 1/2	MS13		
1	RE 1/2" SQ	7 1/2	MS13		
1	WALL RAIL	7 1/2	MS13		
1	PS 1" SCH 40	7 1/2	MS13		
4	WASHER 1/2"	7 1/2	MS13		
1	HAUDRAIL	10 1/2	MS13		
1	RE 1/2" SQ	10 1/2	MS13		
1	WALL RAIL	10 1/2	MS13		
1	PS 1" SCH 40	10 1/2	MS13		
4	WASHER 1/2"	10 1/2	MS13		
1	HAUDRAIL	12 1/2	MS13		
1	RE 1/2" SQ	12 1/2	MS13		
1	WALL RAIL	12 1/2	MS13		
1	PS 1" SCH 40	12 1/2	MS13		
4	WASHER 1/2"	12 1/2	MS13		
1	HAUDRAIL	14 1/2	MS13		
1	RE 1/2" SQ	14 1/2	MS13		
1	WALL RAIL	14 1/2	MS13		
1	PS 1" SCH 40	14 1/2	MS13		
4	WASHER 1/2"	14 1/2	MS13		



SHOP BILL

PROJECT: PONTIAC CITY SCHOOLS
 CUSTOMER: FLAGSTAR CONST.
 DETAIL: HR. @ ADA RAMP - AUD. LOBBY
 DRAWN BY: BOB
 CHECKED BY: 9036
 DATE: 13

REVISIONS: [Table with columns for REVISION, DATE, DESCRIPTION]

PROJECT SUMMARY THIS SHEET: [Table with columns for SHEET, REV, DESCRIPTION]

PAINT: ONE SHOP PAINT
 PRIMER: PAINT
 CLEANING: [Blank]
 MATERIALS: [Blank]

REFERENCE ERECTION PLANS: [Blank]

NOTES: None

SEC A

22

4'-3/4" x 3" LOT

2'-3/4" x 3" LOT

2'-3/4" x 3" LOT